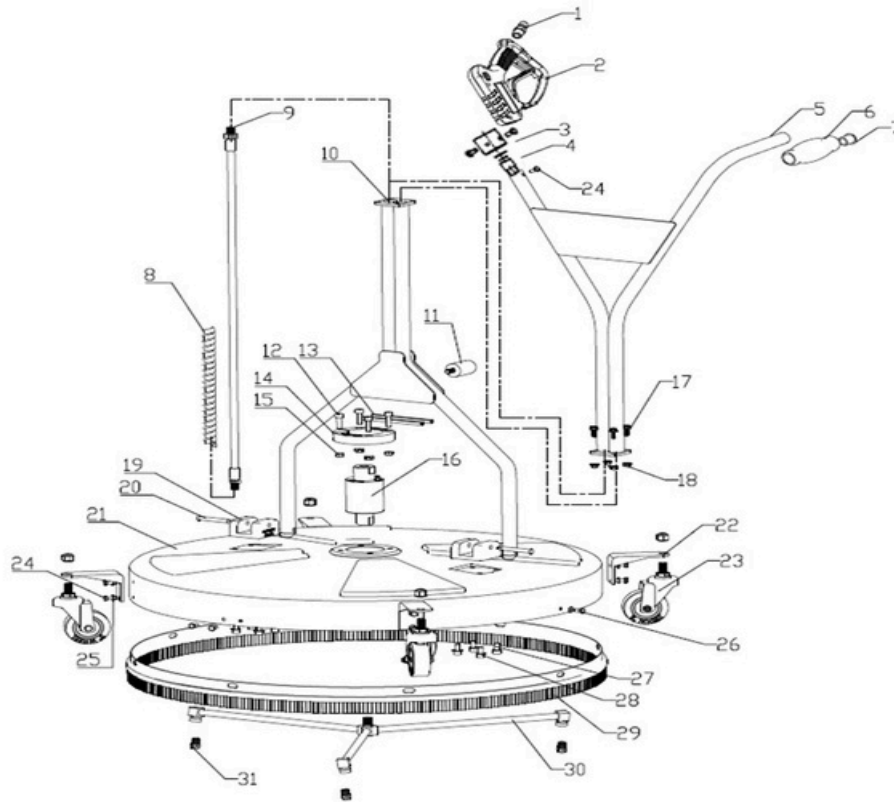




# 30" STAINLESS STEEL WHIRL-A-WAY

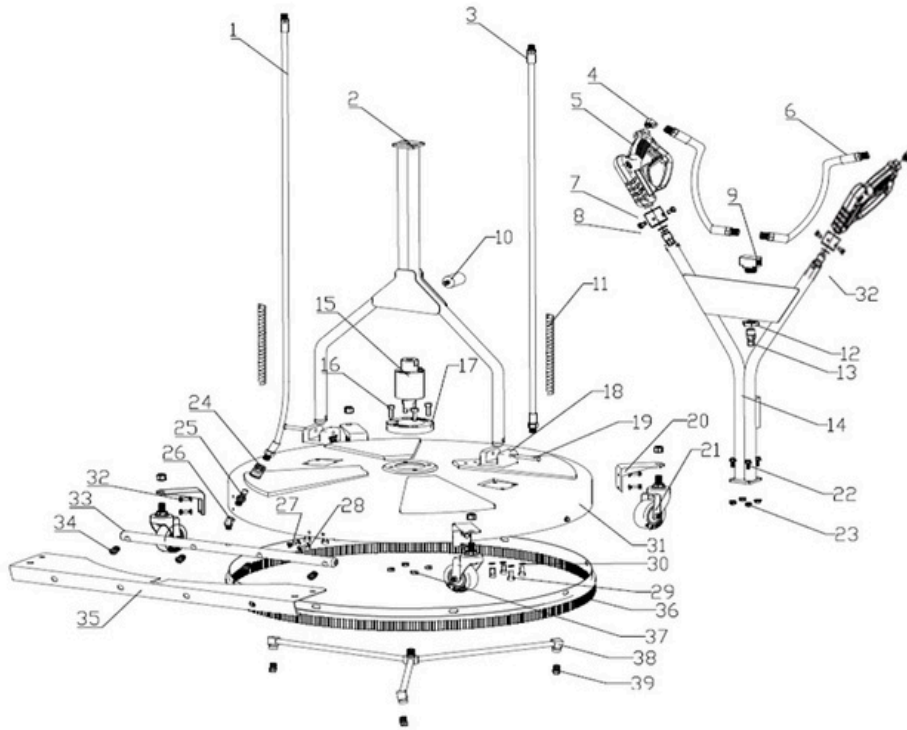
85.403.032



REF.	PART NUMBER	DESCRIPTION
29,26,18,25	85.792.047	BRUSH SKIRT AND HARDWARE
21	85.792.059	COVER
23	85.792.046	CASTOR
24,25,22	85.792.106	CASTOR BRACKET & HARDWARE
16	85.790.004	ROTARY HEAD
30,31	85.792.101	ROTARY ARMS
1,2,3,4,5,6,7,17,18,24,10,32	85.792.107	HANDLE KIT
19,20	85.792.104	HANDLE BRACKET X2
14	BF4044	MI-T-M COLLAR
3,4,32	85.792.105	GUN MOUNT ADAPTER



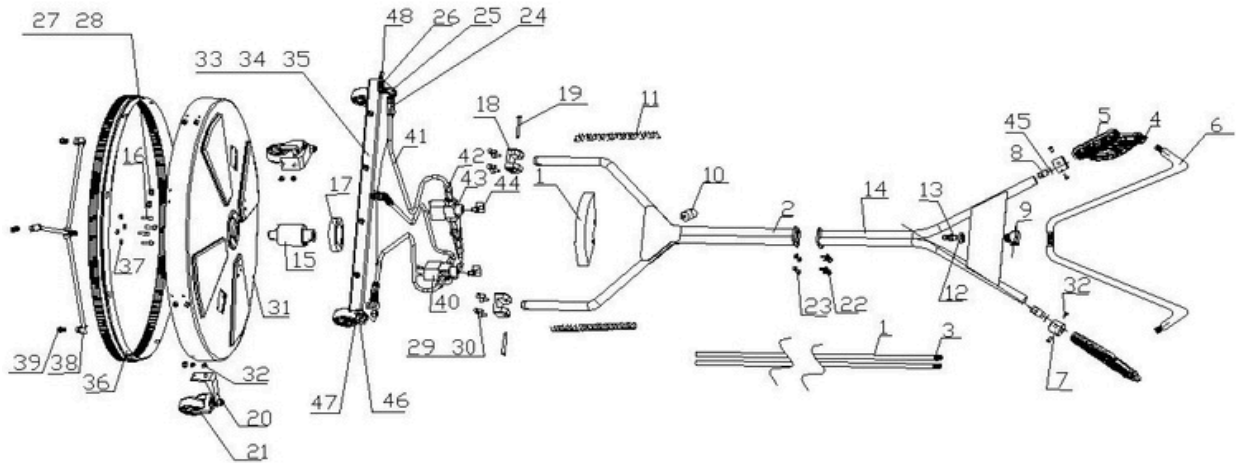
# 30" STAINLESS STEEL 2-IN-1 WHIRL-A-WAY 85.403.031



REF.	PART NUMBER	DESCRIPTION
36,27,23,28	85.792.047	BRUSH SKIRT & HARDWARE
31	85.792.059	COVER
21	85.792.046	CASTOR
20,32	85.792.100	CASTOR BRACKET(4)& HARDWARE(8)
15	85.790.004	ROTARY HEAD
38,39	85.792.101	ROTARY ARMS
33,32,34,26,25,24	85.792.102	WATER BROOM
2,4,5,6,7,8,9,12,13,14,22,23,32,40	85.792.103	HANDLE KIT
18,19	85.792.104	HANDLE BRACKET X 2
17, 16	BF4044	MI-T-M COLLAR
7,8,40	85.792.105	GUN MOUNT ADAPTER



30" STAINLESS STEEL  
4-IN-1 WHIRL-A-WAY  
85.403.030



REF.	PART NUMBER	DESCRIPTION
36,27,23,28	85.792.047	BRUSH SKIRT & HARDWARE
31	85.792.059	COVER
21	85.792.046	CASTOR
20,32	85.792.100	CASTOR BRACKET(4)& HARDWARE(8)
15	85.790.004	ROTARY HEAD
38,39	85.792.101	ROTARY ARMS
33,32,34,26,25,24,41,46,47,48,49	85.792.110	WATER BROOM
2,4,5,6,7,8,9,12,13,14,22,23,32,45	85.792.103	HANDLE KIT
18,19	85.792.104	HANDLE BRACKET X 2
17, 16	BF4044	MI-T-M COLLAR
7,8,45	85.792.105	GUN MOUNT ADAPTER
43,44,40	85.792.111	VALVE KIT