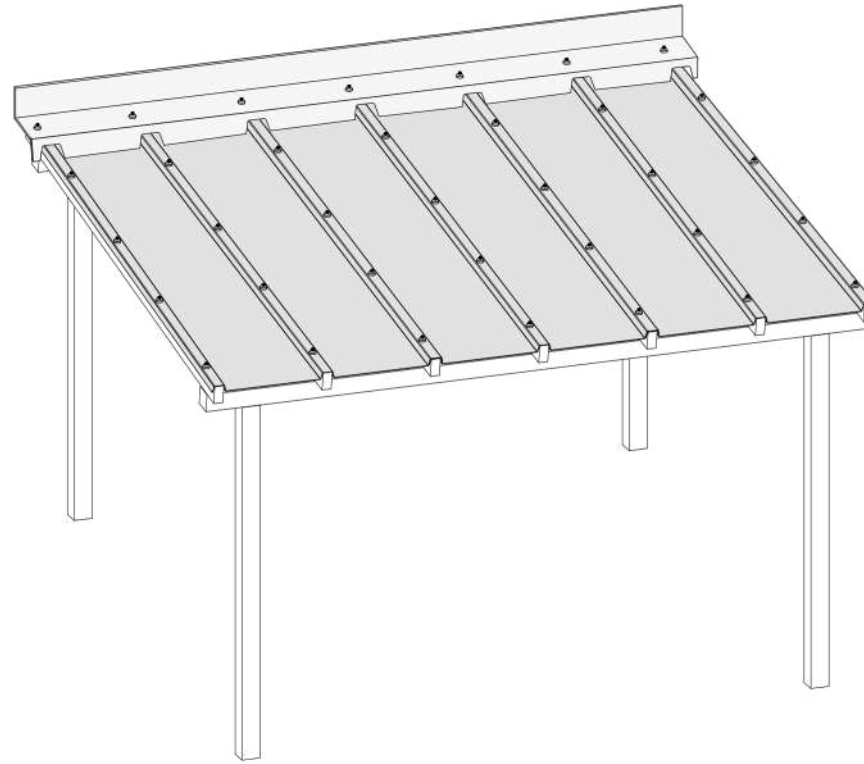




EZ Glaze™ | Installation Guide



Easy to install



Rafter installation



Glass appearance



Clear & elegant



UV resistance



Premium solution



EZ Glaze™ - Product page



Installation video

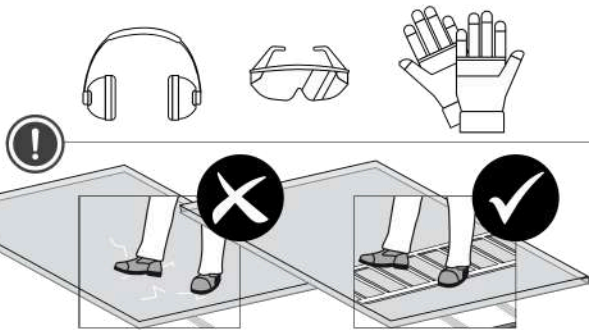


PALRAM website



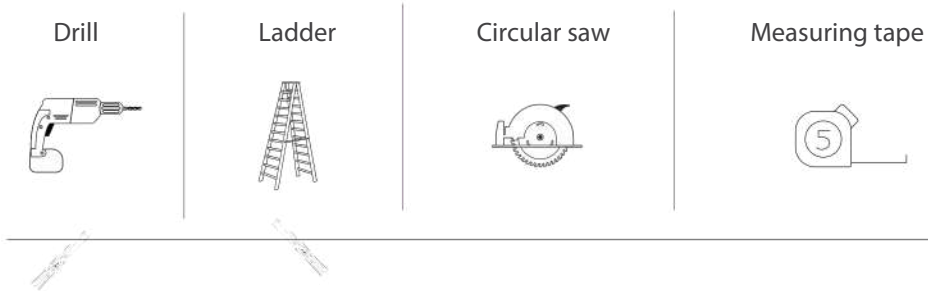
Before Installation

Recommended safety equipment

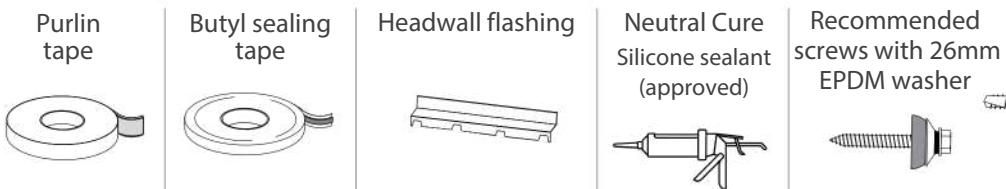


Do not step directly on the sheets between the rafters!
When installing EZ Glaze or doing maintenance work, always use ladders or crawl boards, supported by minimum three roof structural elements.

Required tools



Accessories

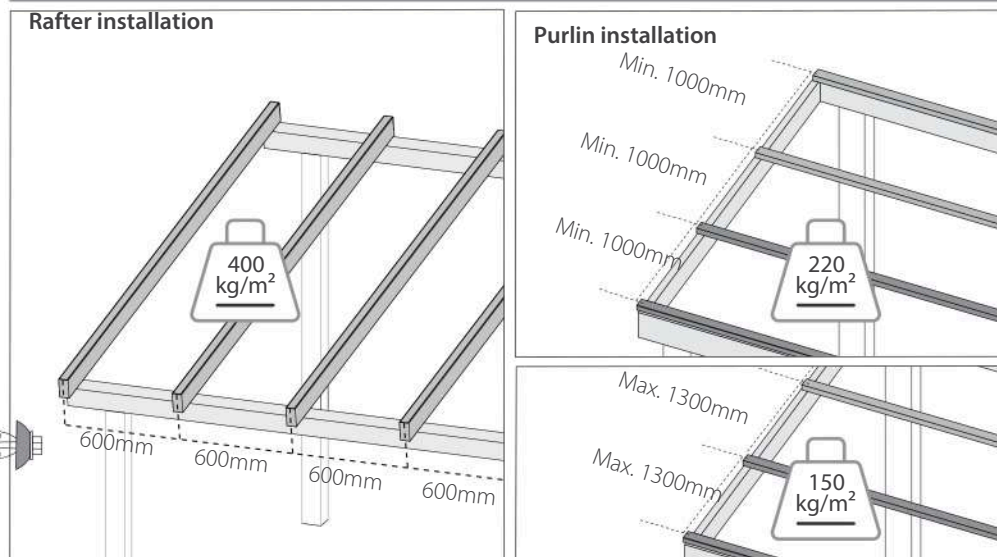


Product information

Thickness	3mm
Cover width	600mm
Total width	673mm
Maximum length	7,000mm
Minimum required pitch	3 degrees

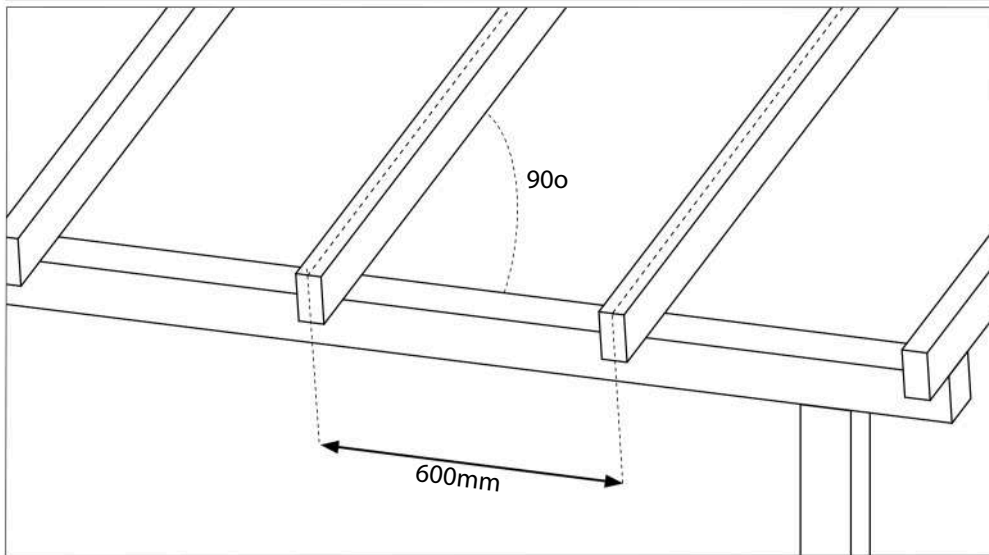
Profile range	Profile	Rafter width	Profile dimension
EZ Glaze 50	40-50mm		

Installation method



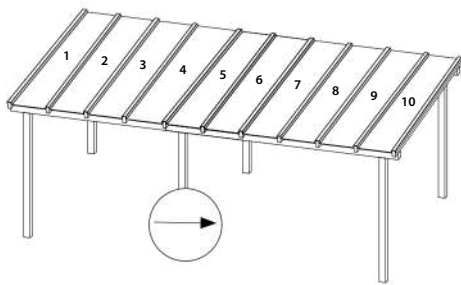
Before Installation

Panel spacing

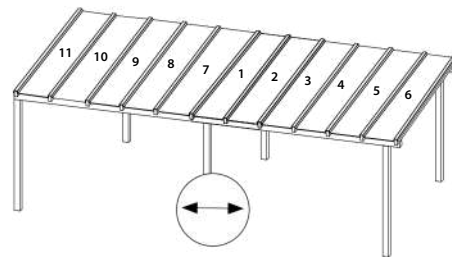


Installation direction recommendation

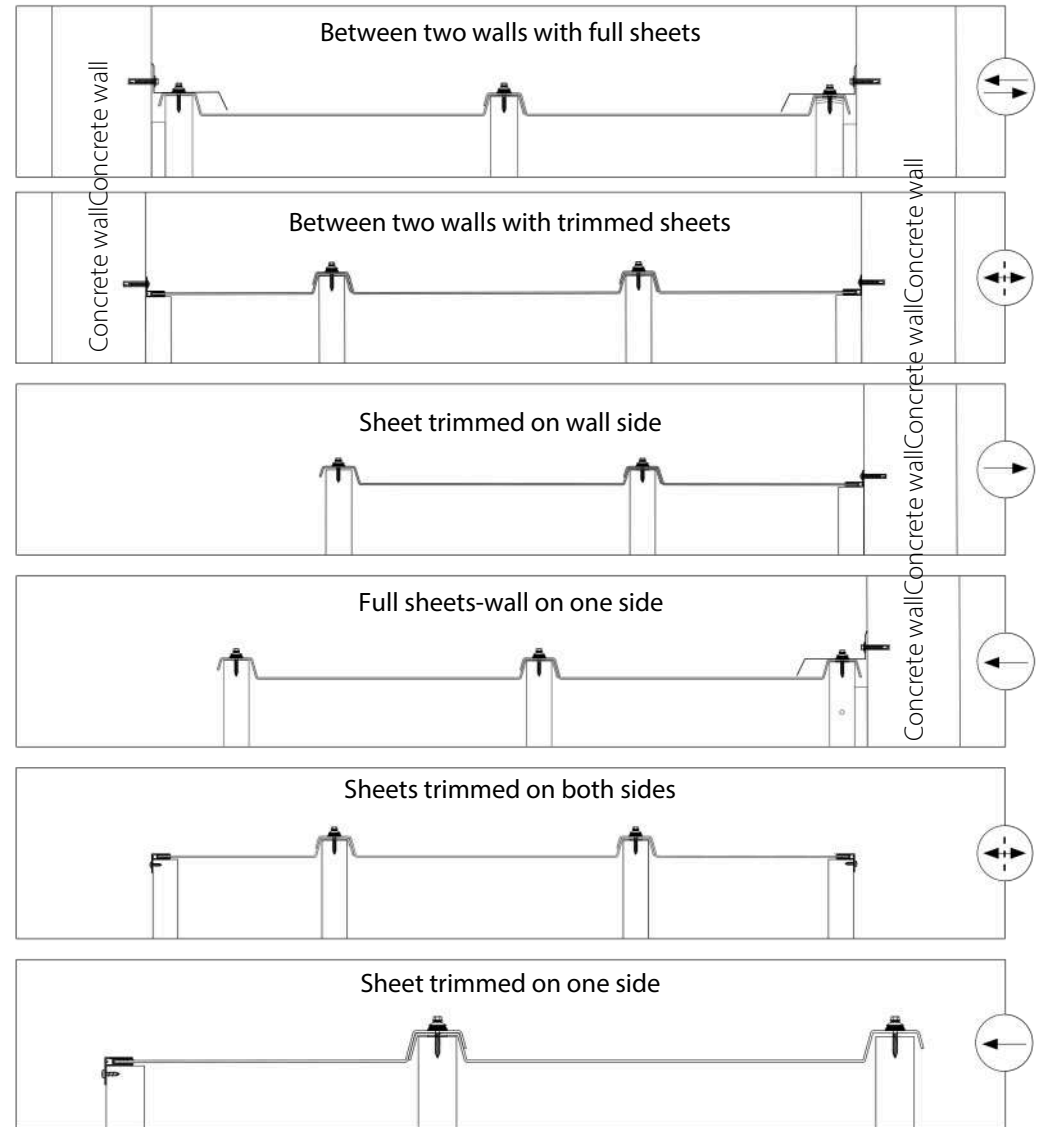
x10 or less



x10 or more

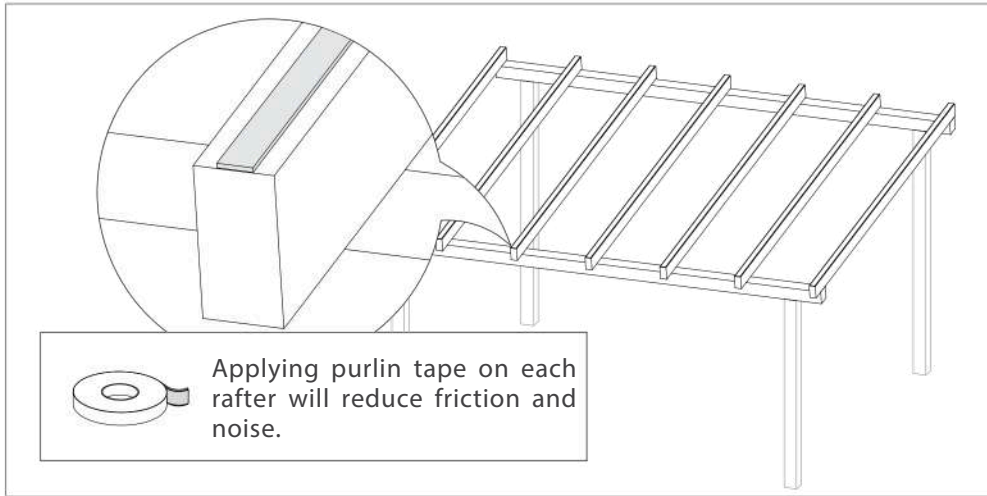


Installation variation and directions

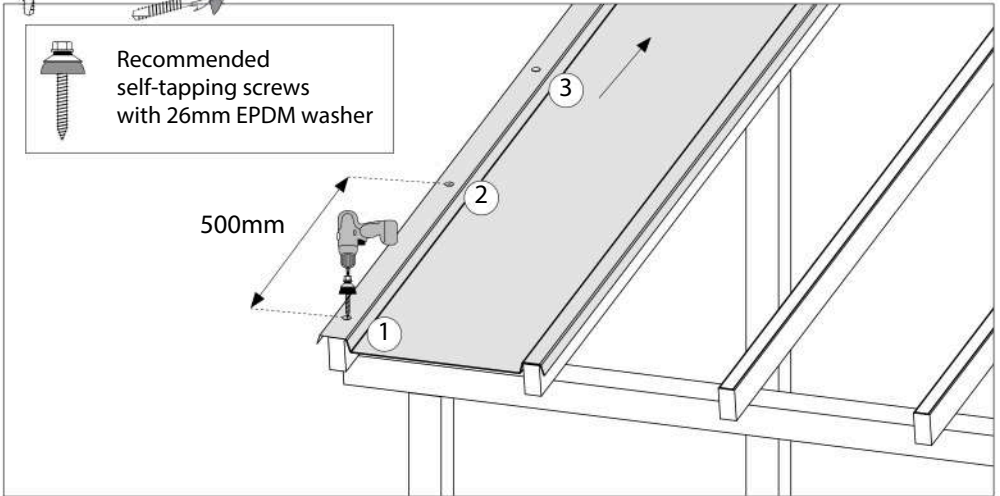


Installation

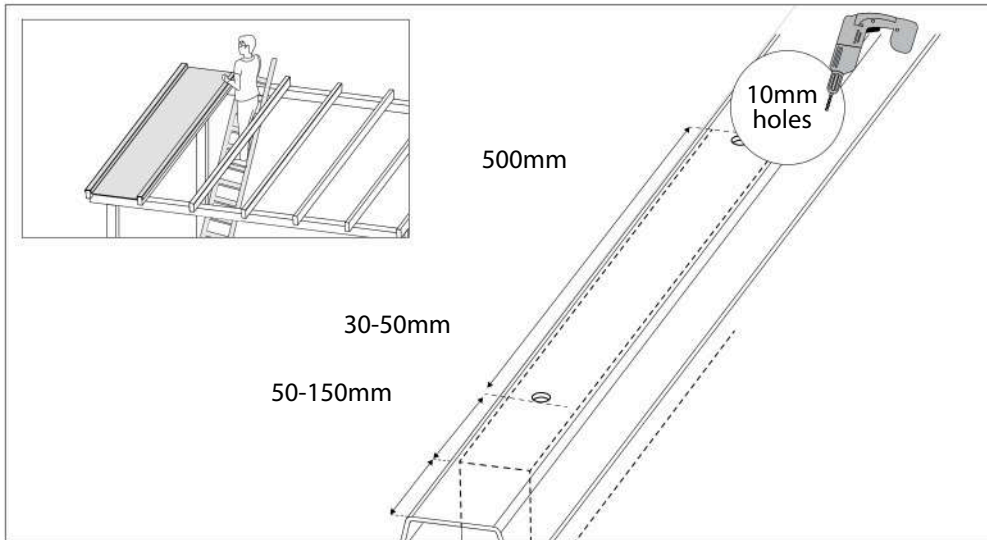
1 Purlin tape application



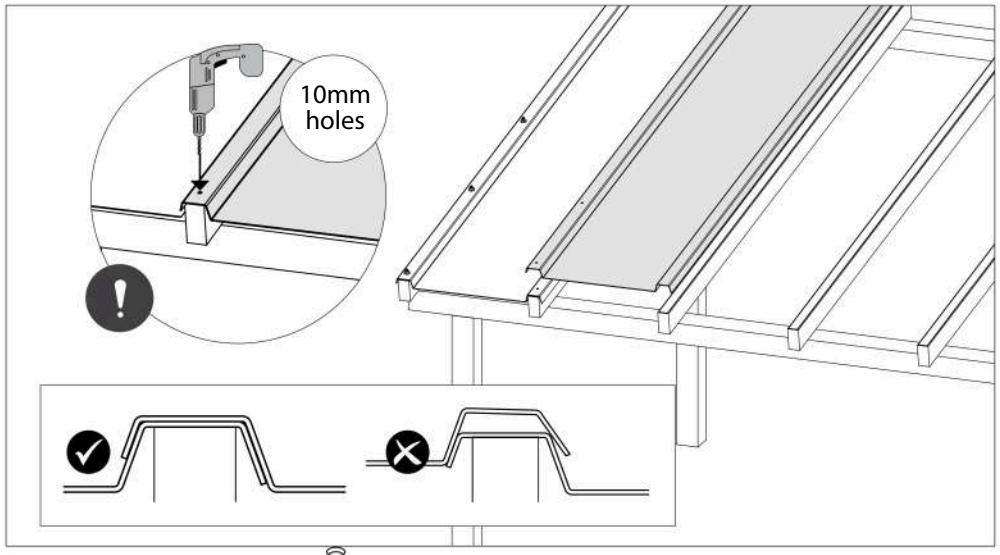
3 Fixing the first EZ Glaze panel



2 Setting the first EZ Glaze panel

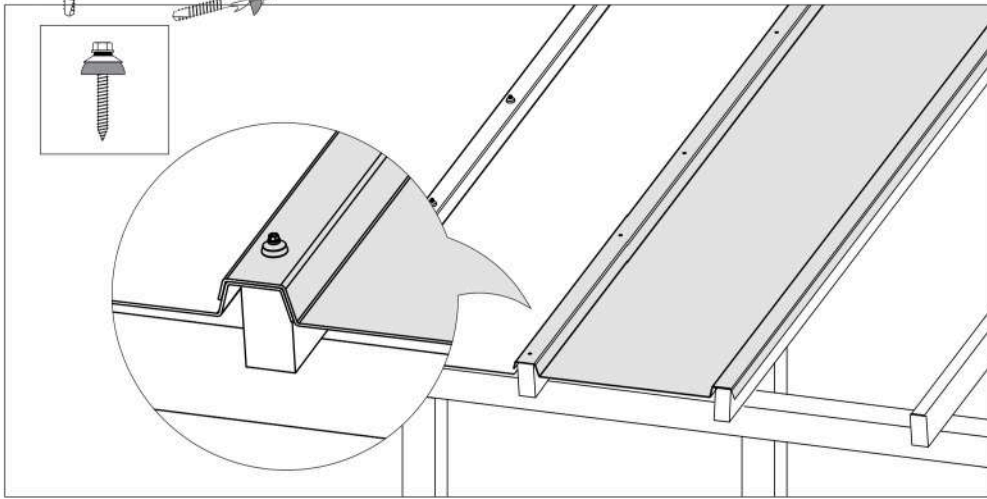


4 Setting the second EZ Glaze panel

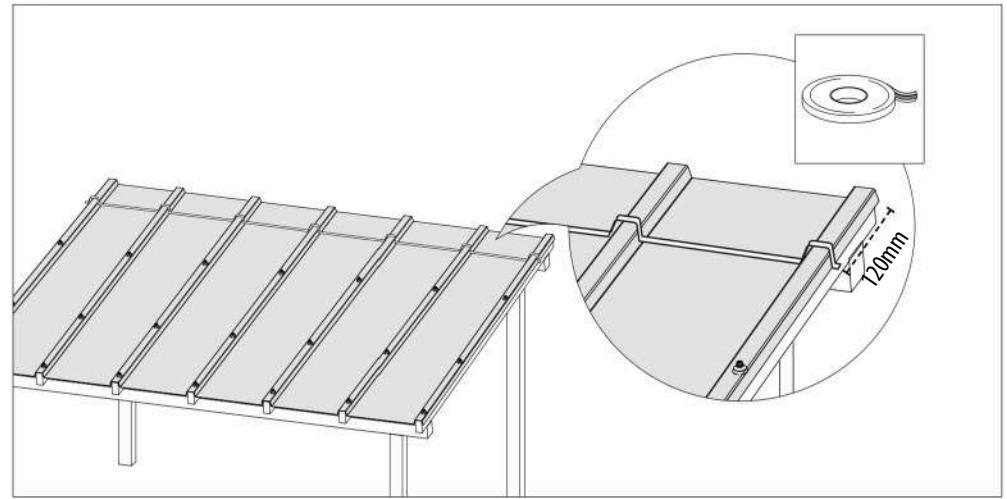


Installation

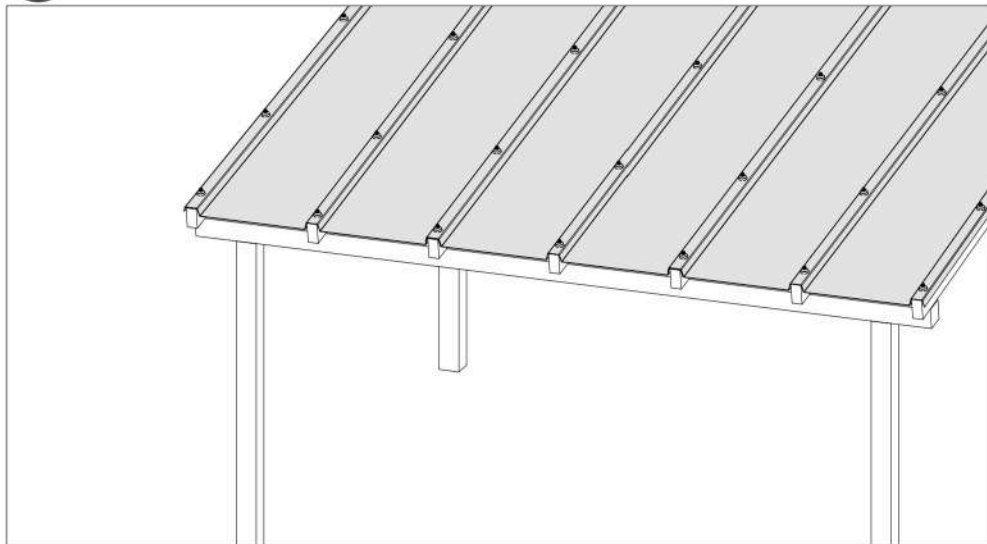
5 Fixing the second EZ Glaze panel



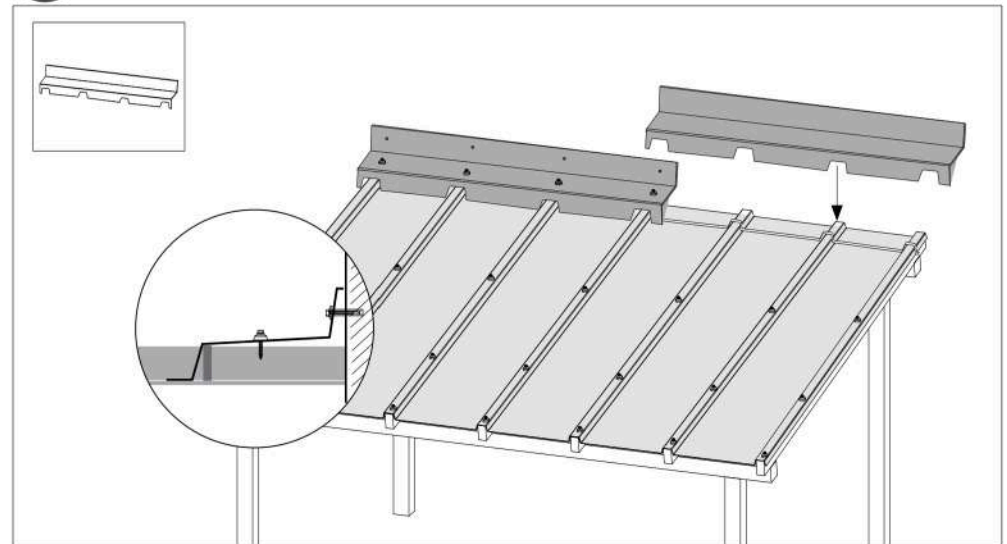
7 Applying butyl tape



6 Repeat stages 4-5 until the pergola is fully covered



8 Installing head wall flashing (purchased separately)

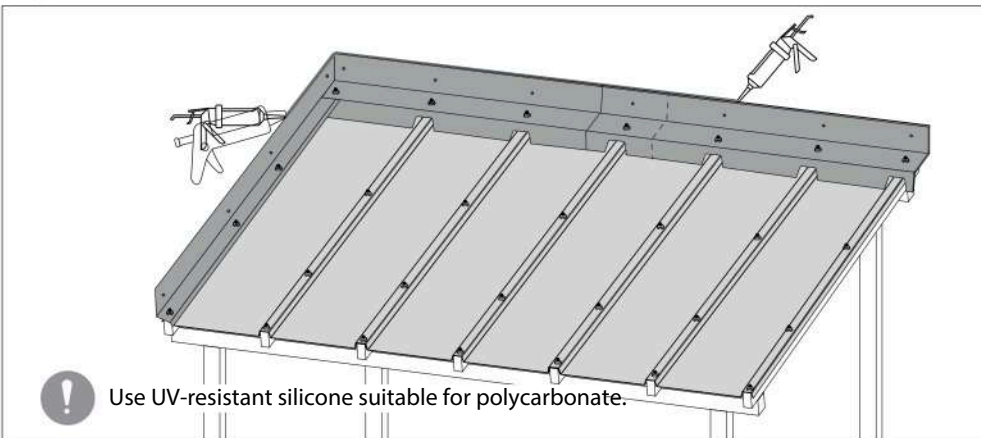


Innsstaallaattiioonn - Finishing Accessories

9 Installing side wall flashing (purchased separately)



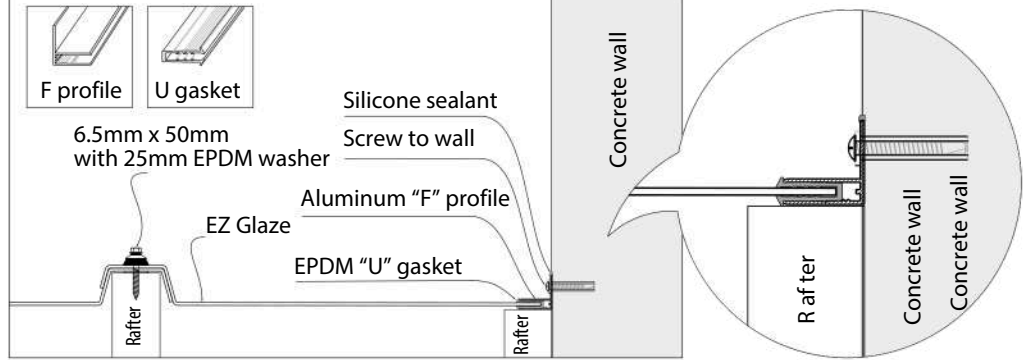
10 Applying silicone (purchased separately)



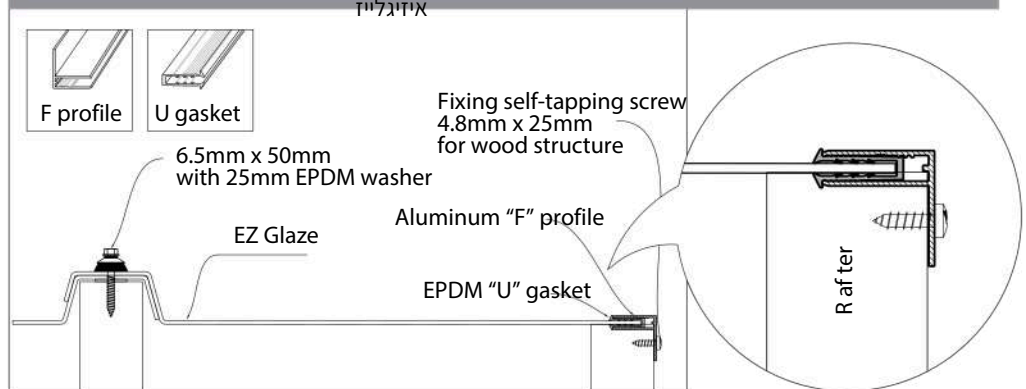
Innsstaallaattiioonn - Finishing

! Side wall finish when the panel is trimmed (purchased separately)

Installation to side wall



Installation with no side wall



PALRAM SA/NT

517A Cross keys Road
Cavan SA 5094
Tel: (08) 8262 2288
Fax: (08) 8262 3388
salessa@palram.com

PALRAM NSW/ACT

Unit 2, 26 Redfern St,
Wetherill Park, NSW 2764
Tel: (02) 8788 6100
Fax: (02) 8788 6199
salesnsw@palram.com

PALRAM QLD

Unit 9C / 380 Bilsen Road
Geebung QLD 4034
Tel: (07) 3172 5581
Fax: (07) 3172 5516
salesqld@palram.com

PALRAM VIC/TAS

34 Buys Court
Derrimut VIC 3030
Tel: (03) 9219 4444
Fax: (03) 9219 4455
salesvic@palram.com

PALRAM WA

74 Christable Way
Landsdale WA 6065
Tel: (08) 9302 4173
Fax: (08) 9302 5287
saleswa@palram.com



Warranties only apply to installations and maintenance that follow Palram installation instructions and specifications.